

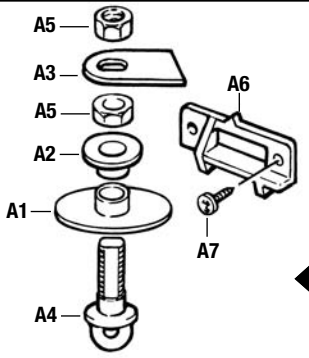
PROFESSIONAL LOFT LADDER

Installation and Operating Instructions

Read Carefully Before Installation

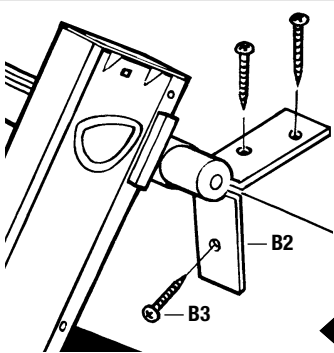
Please check you have all components listed (tick Boxes)

TWIST CATCH ASSEMBLY



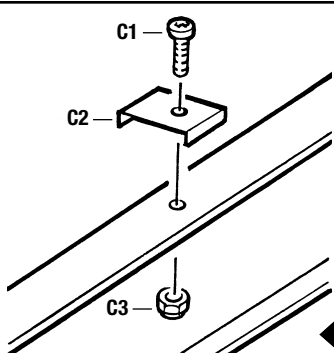
- A1 Large Twist Catch Collarx1
- A2 Small Twist Catch Collarx1
- A3 Twist Catch Leverx1
- A4 Twist Catch Pivot Pinx1
- A5 Nut (M10)x2
- A6 Catch Location Bracketx1
- A7 Screw (19mm)x2

HINGE GUIDE ASSEMBLY



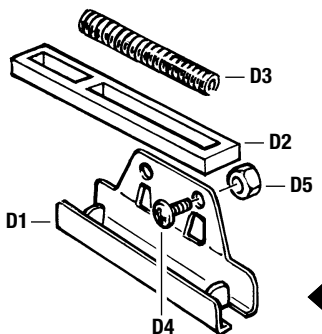
- B1 Hinge Guide (left)x1
- B2 Hinge Guide (right)x1
- B3 Screw (35mm)x6

ADDITIONAL TOP STOPS



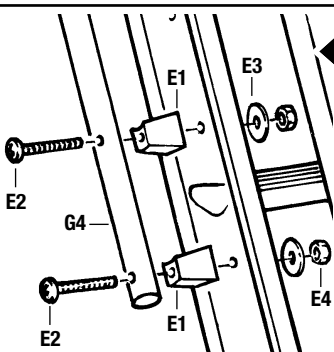
- C1 Top Stop Bolt (M4x8mm) .x2
- C2 Additional Top Stopx2
- C3 Locking Nut (M4)x2

DAMPER UNIT ASSEMBLY

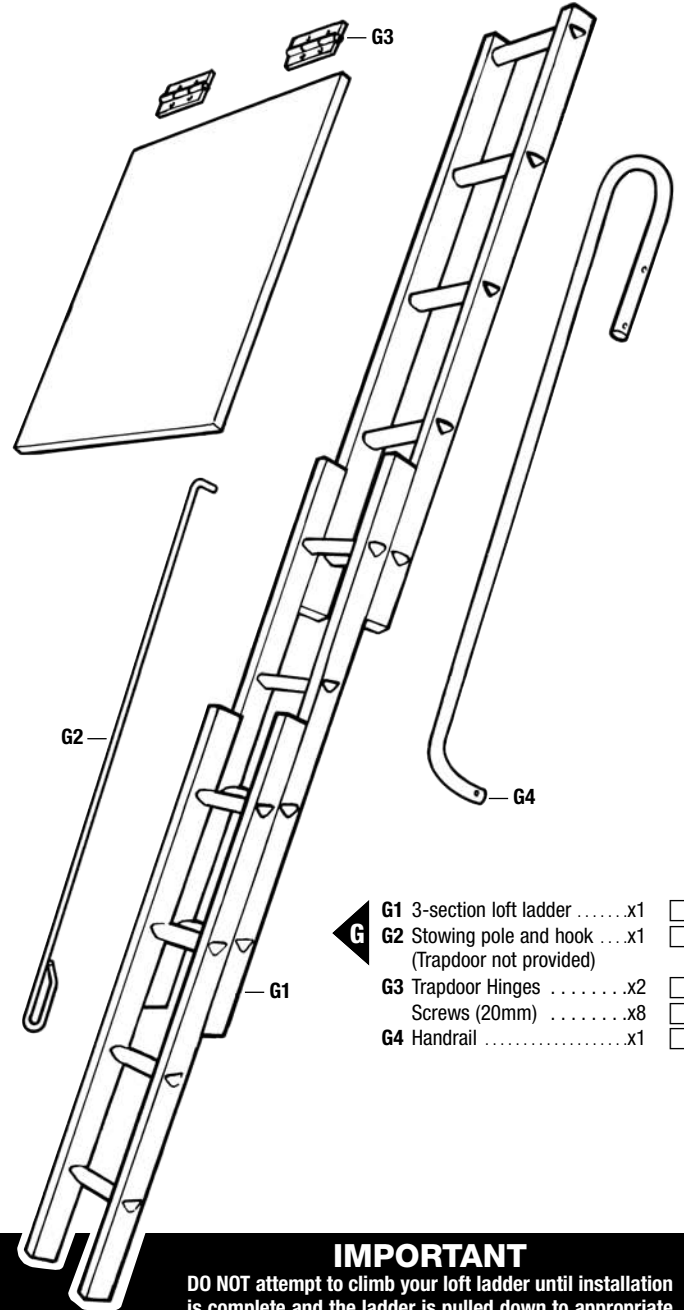


- D1 Damper Housingx1
- D2 Damper Slider Blockx1
- D3 Damper Springx1
- D4 Bolt (M4 x 8mm)x2
- D5 Locking Nut (M4)x2

HANDRAIL ASSEMBLY



- E1 Handrail Spacerx3
- E2 Bolt (M5 x 60mm)x3
- E3 Washer (25mm)x3
- E4 Locking Nut (M5)x3

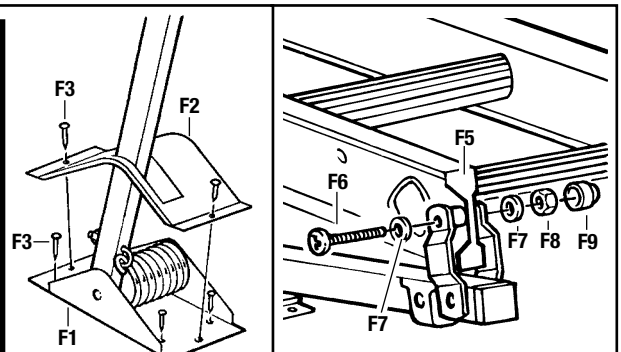


- G1 3-section loft ladderx1
- G2 Stowing pole and hookx1
(Trapdoor not provided)
- G3 Trapdoor Hingesx2
Screws (20mm)x8
- G4 Handrailx1

IMPORTANT

DO NOT attempt to climb your loft ladder until installation is complete and the ladder is pulled down to appropriate top stops. Then ensure that the locking catches are engaged.

PIVOT ASSEMBLY



- F1 Power Pivot Unitx1
- F2 Housing Coverx1
- F3 Screw (20mm)x6
- F4 Folding Pivot Tip (Left)x1
- F5 Folding Pivot Tip (Right)x1
- F6 Bolt (M6 x 40mm)x1
- F7 Washer (6mm dia.)x2
- F8 Locking Nut (M6)x1
- F9 Nut Capx1
- F10 Card Templatex1

Safety Instructions

Before commencing the installation or operation of this product, read these instructions carefully and completely, noting in particular the instructions regarding Safety (below).

The Abru Professional loft ladder with 'Easy Stow' system is perfectly safe when correctly installed and will support a weight of up to 150 Kgs. (23.6 stones). Please observe the following safety procedures:

- Do not attempt to climb your Abru loft ladder until installation is complete.
Use a second ladder to gain access to the loft while carrying out the work. Ensure that this is stable.
- During installation and operation, follow all instructions step by step to ensure your safety and optimum performance of the loft ladder.
- When installation is complete, before using the ladder make sure that it is pulled fully down to the appropriate top stops, that both feet are resting firmly on the floor and that the locking catches are properly engaged. Observe the instructions for the optimum safe working angle.
- Observe normal safety precautions when working in the loft space. Place weight only on the main ceiling joists. Do not drill above head height. Avoid contact with electrical wiring. Ensure someone else is on the premises and knows where you are in case of an accident.
- Do not modify any component supplied with this product or substitute any loft ladder component with anything other than genuine Abru replacement parts.

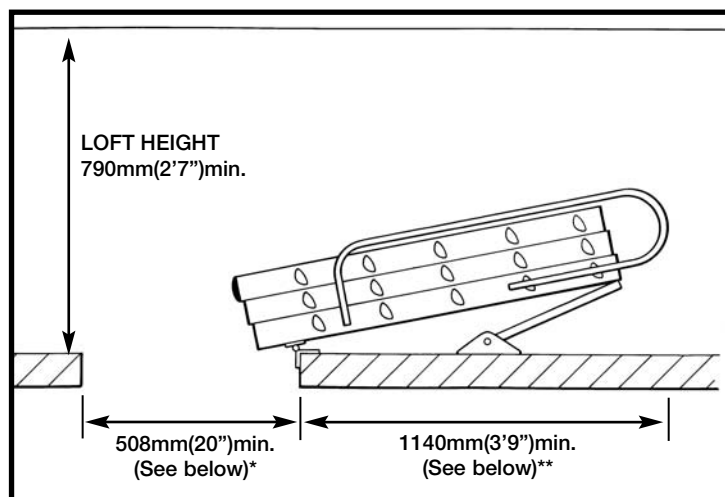
Minimum space requirements:

When stowed, the ladder will occupy a minimum space approximately 1140mm (3'9") long, when handrail is installed at lowest position - (see below). Operating the ladder mechanism will require a minimum clear height inside the loft of 790mm (2'7"). Ensure that the ladder is not obstructed by items stowed in the loft.

Tools required:

- Stepladder ● Bradawl ● Saw ● Drill plus 13mm bit ● Crosshead Screwdriver: small and medium
- Adjustable spanner/pliers ● Large Flat bladed screwdriver ● Lever to prise off any support battens
- Tape measure/Ruler

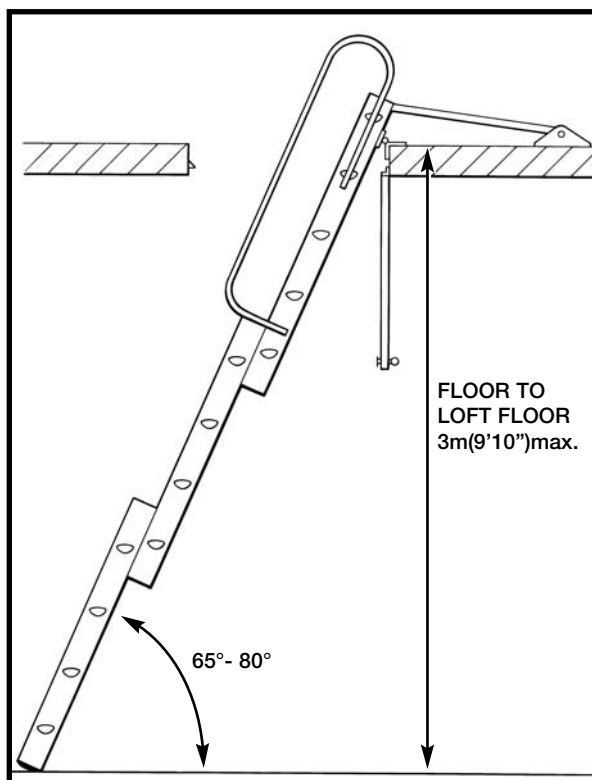
Stowed Requirements



* Minimum trapdoor opening varies in relation to the loft floor to ceiling measurements (see packaging header card).

** At handrail low position - 1140mm (3'9")
At handrail mid position - 1295mm (4'3")
At handrail top position - 1448mm (4'9")

Deployed Requirements



Adapting the trapdoor

The Abru loft ladder is suitable for a loft opening let flush into the ceiling, having a hinged trapdoor opening downwards, with a suitable fastener to keep the hatch

firmly shut. If the trapdoor does not hinge downwards, or is not hinged at all, you will need to adapt or replace it so that it does. The parts needed are enclosed.

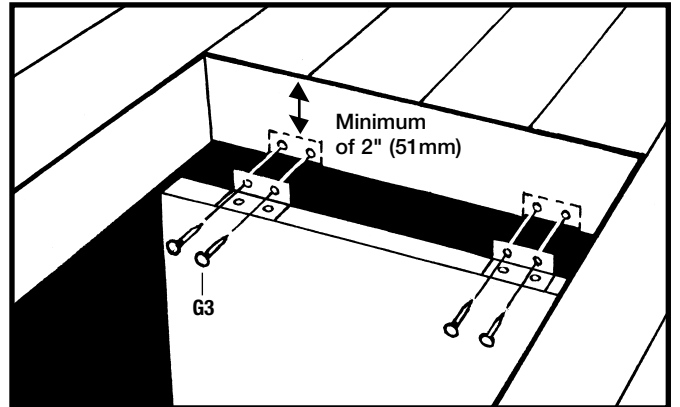
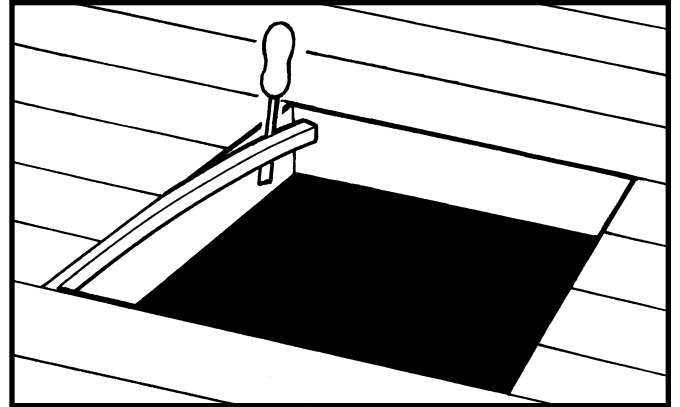
Hanging the trapdoor

1 If you need a new trapdoor, use 20mm ($\frac{3}{4}$ " max. blockboard. Chipboard is not suitable. Use the existing cover as a template to cut out the new piece, ensuring a slightly loose fit all round (maximum 4mm gap). Your DIY store may be able to do this for you.

Remove the existing trapdoor and hinges. Prise off any support battens so that the four faces of the loft trap frame are sheer.

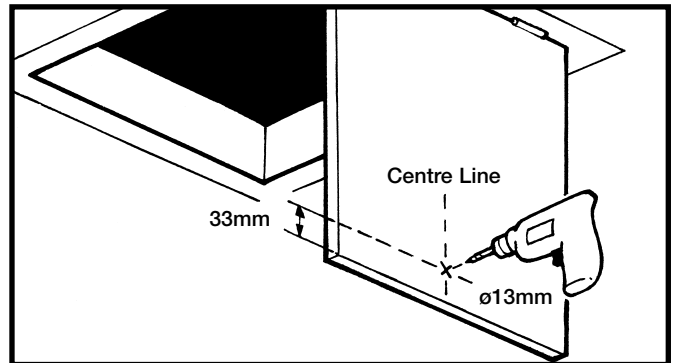
2 As shown in the diagram, screw the hinges provided to one edge of the trapdoor using four $\frac{3}{4}$ " (20mm) wood screws. For extra permanence, fill the screw holes with wood glue.

Offer up the hinges to the face of the frame on the same end as you intend setting the ladder, and fix. Ensure that there is at least 2" (51mm) clearance between the top face of the trapdoor and the top edge of the framework.



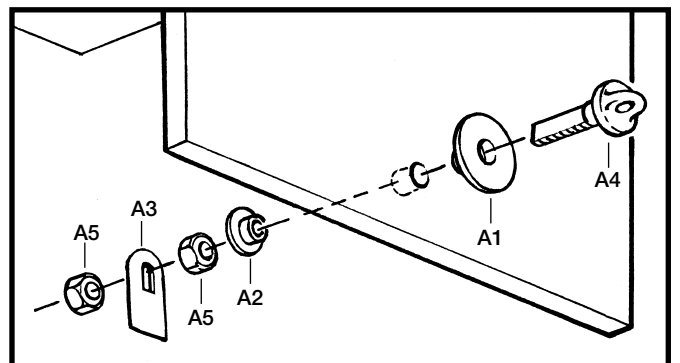
Fitting the Twist Catch

1 Find the mid-point of the trapdoor edge opposite to the hinged side. This will give you your centre line (see diagram). Mark with a pencil. Measure exactly 33mm in from the edge of the trapdoor. Drill a 13mm hole in the centre and sand off any rough edges.



2 Push the two plastic collars (A1 & A2) through either side of the hole. The wider of the two collars (A1) should be on the underside of the trapdoor. Then push the pivot pin (A4) through from the underside and secure above with a nut (A5). The pivot pin should still be able to turn.

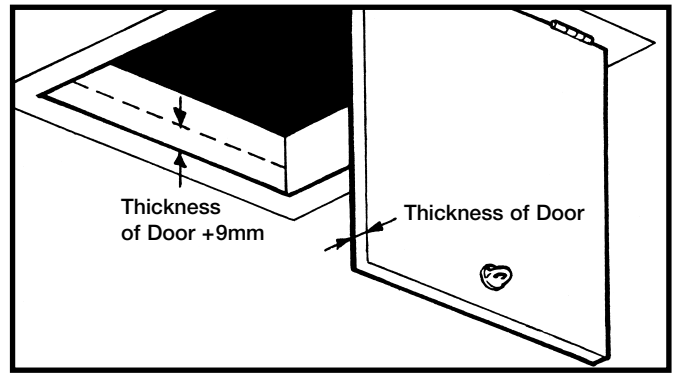
Position the locking lever (A3) over the pivot pin and secure it, using the second nut (A5). Make sure the pivot pin can still turn.



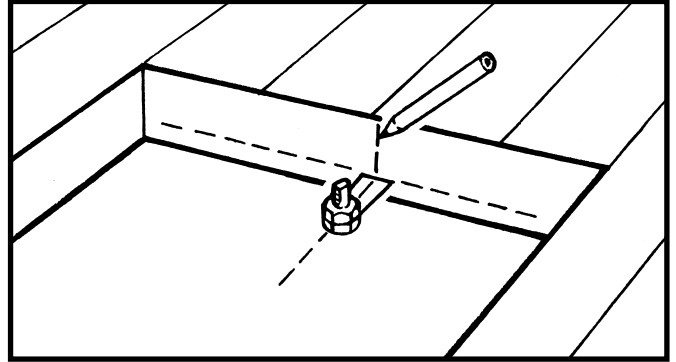
Fixing the Location Bracket

When turned to the correct position, the locking lever will engage in the location bracket to hold the trapdoor shut. Fix as follows:

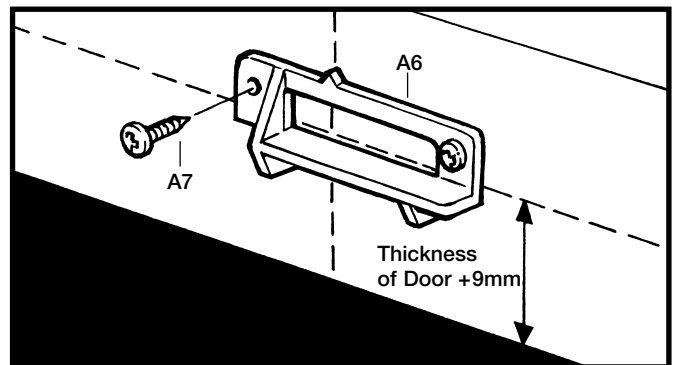
1 Measure the thickness of the trapdoor, add 9mm to this, on the closing edge of the hatch opening, draw a line this distance up from the bottom edge parallel with the opening.



2 Mark a vertical line on the inside of the trapdoor frame corresponding with the centre line of the trapdoor twist catch.



3 Position the catch location bracket (A6) as shown in diagram, along the horizontal line. Match up the indent mark on the bracket with the vertical centre line. Make guide holes with the bradawl and fix, using two 19mm wood screws supplied (A7).

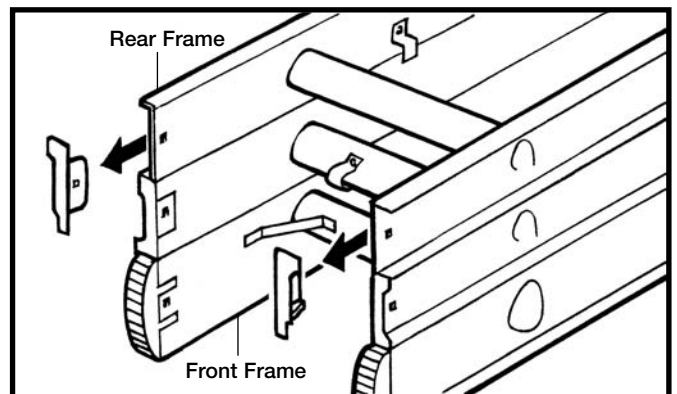


Assembling the Ladder and Fittings

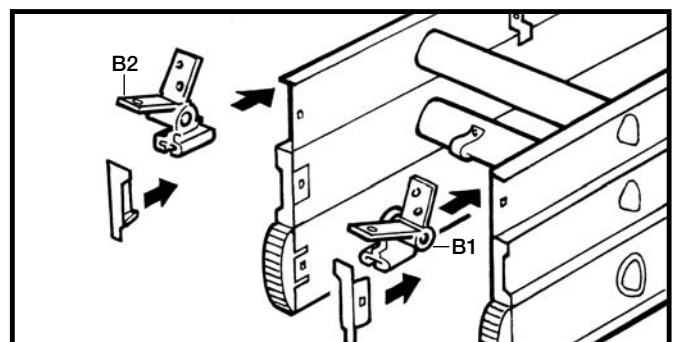
N.B. The long sides of the ladder are known as the 'stiles'. Each complete section of the ladder is known as a 'frame'.

For correct identification, the front frame of the ladder can be identified by its rounded feet and safety information stickers on the sides of the stiles.

1 Carefully prise off the plastic end clips from the base of the REAR frame of the ladder, noting which way round they go.



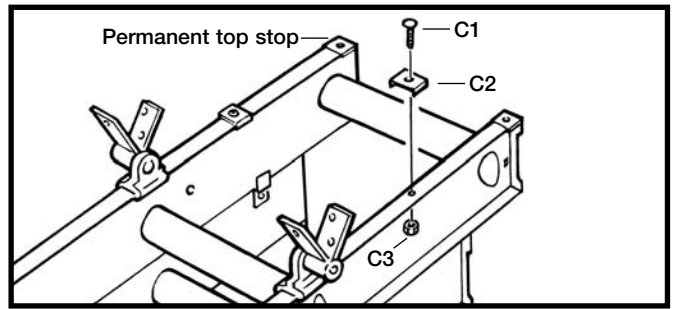
2 Push the hinge guide assemblies (B1 & B2) onto the rear frame stiles. The actual hinge part should be facing outwards, with the double holed arm uppermost (see diagram). Slide all the way up to the top stops (these have been pre-fitted).



Replace the plastic end clips.

Additional Top Stops

Depending on the floor to loft floor height (see bottom of page 1), you may need to fit the additional top stops provided (C2) (see table below). Locate the additional top stops over the holes approx 6" below the permanent top stops on the rear frame of the ladder (see diagram). Ensure the hinge guides (B1 & B2) are already in place and below the additional top stops when fitted. Fix the additional top stops using two M4 bolts and nuts supplied (C1 & C3).



Important

Up to 6'7" (2.01m)Fit additional top stops

6'7" to 7'1" (2.01 to 2.16m) ..No need to fit additional top stops

7'1" to 7'6" (2.16 to 2.29m) ..Fit additional top stops

7'6" to 8'0" (2.29 to 2.44m) ..No need to fit additional top stops

8'0" to 8'4" (2.44 to 2.54m) ..Fit additional top stops

8'4" to 9'0" (2.54 to 2.74m) ..No need to fit additional top stops

9'0" to 9'3" (2.74 to 2.82m) ..Fit additional stops

9'3" to 9'10" (2.82 to 3m)No need to fit additional top stop

Installing the Ladder

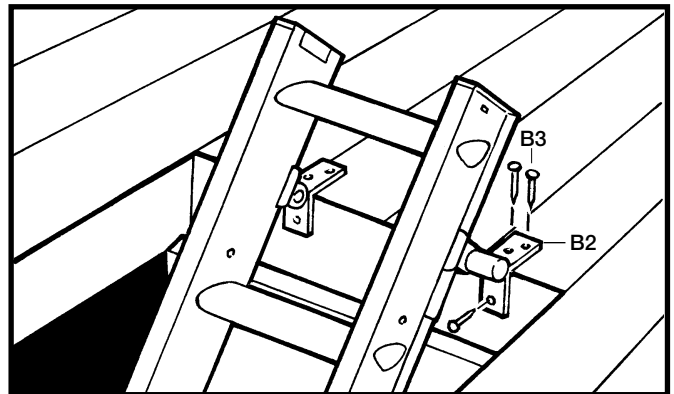
N.B. The ladder must be installed on the same side of the trap as the trapdoor hinges.

With the ladder preferably centred in the opening, and the trapdoor hanging down, locate the hinge arms (B1 & B2) on the top edge of the frame (see diagram), and make guide holes with the bradawl. Fix using 35mm screws (B3).

N.B. the longer hinge arms with two screw holes should be on top.

If flooring material covers the top edge of the frame ensure that it is completely stable and if necessary use longer screws to penetrate the frame itself.

The ladder should now be free to swing from the hinges and slide freely up and down the guides.

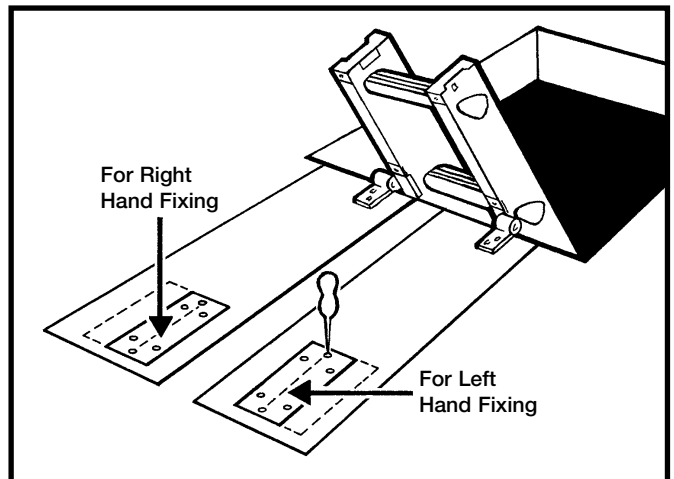


WARNING:

Do Not stand on the ladder to do this. Either using a second ladder, or from inside the loft space, secure the hinges using six 35mm screws supplied.

Installing the Power Pivot System

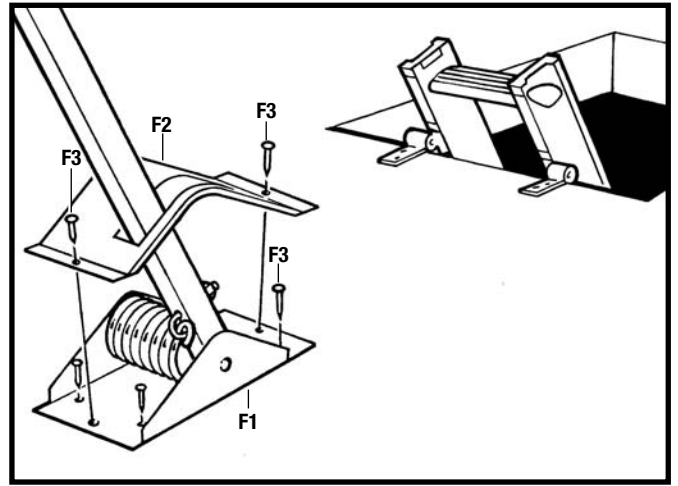
1 Using the template cut from the rear of the header card, position it against either the left or right hand hinge (depending on which side the power pivot system is to be fitted) and using a bradawl mark the 6 holes through the template on to the loft floor.



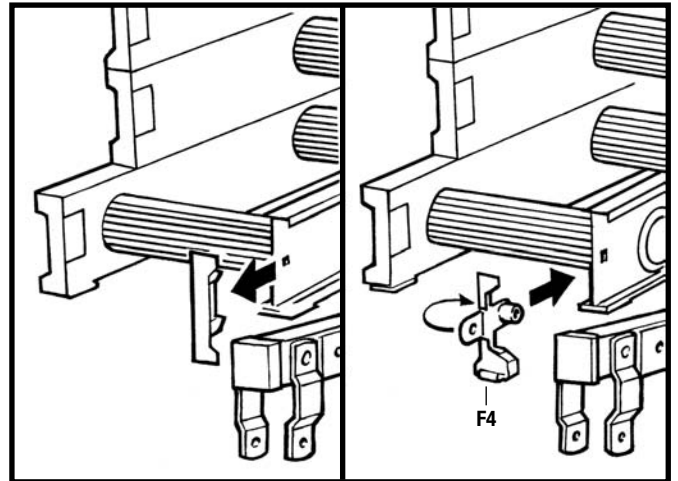
2 Place the spring housing (F1) in position over the holes ensuring the arm points away from the loft opening (with slot in cover on the left-hand side).

Fix the spring housing to the loft floor with 4 x 20mm screws (F3) through the 4 inner holes.

Place the housing cover (F2) over the spring housing and fix down using 2 x 20mm (F3) screws through the 2 remaining outer holes.



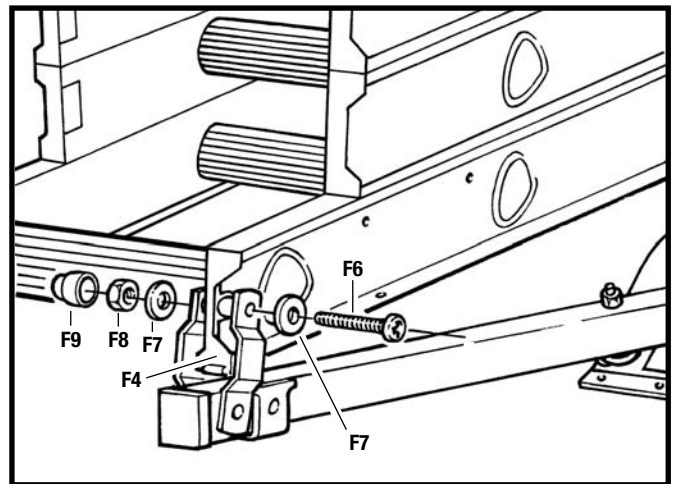
3 Position the ladder in its fully stowed (closed) position carefully in the loft. Remove the plastic end tip from the top end of the rear ladder section (nearest the floor) and throw it away. In its place fit a correctly handed Folding Pivot Tip (F4 left / F5 Right).



4 Fit the pivot arm to the folding pivot tip (F4/F5). You must fold the pivot tip as shown (step 3) before fixing the pivot arm to it using bolt (F6), washers (F7), nut and nut cap (F8 & F9).

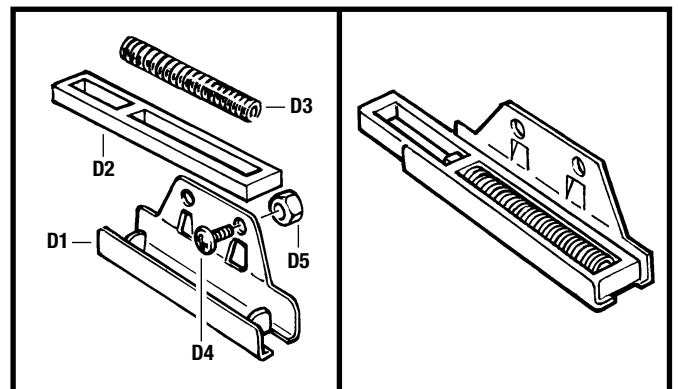
DO NOT over-tighten the nut as this will restrict smooth operation of the ladder system.

Note: The power pivot arm is designed to operate at an angle. i.e. not parallel with the stile of the ladder. This is perfectly normal.



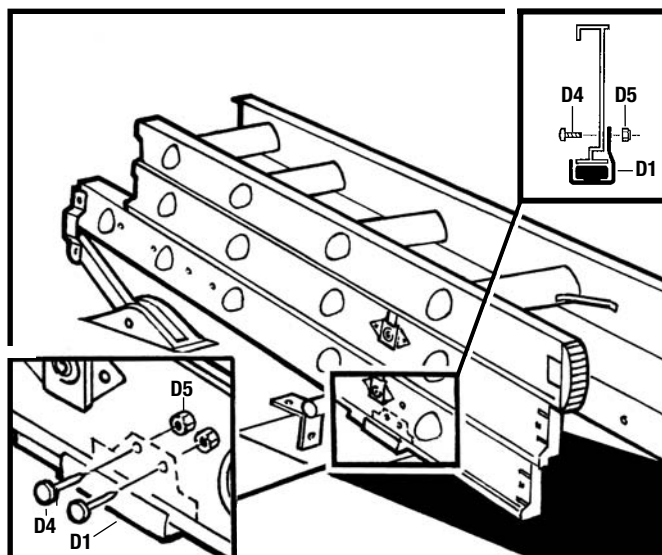
Installing the Damper Assembly

1 Place the damper slider block (D2) onto the damper housing (D1). Place the damper spring (D3) into the large space in the damper slider block. (Diagram shows assembly for left hand fixing)



2 Lower the ladder slightly in order to install the single damper assembly. The damper assembly should be fitted to the same side as the Power Pivot system. Place the whole damper assembly on the lower face of the stile of the rear ladder section (nearest the floor).

Line up the pre-drilled holes and secure using 2 x bolts (D4) and 2 x nuts (D5). When fitted correctly the damper slider block should project forward from the housing in the direction of the hinge guide. Check the damper block can be depressed by finger pressure and returns to original position.

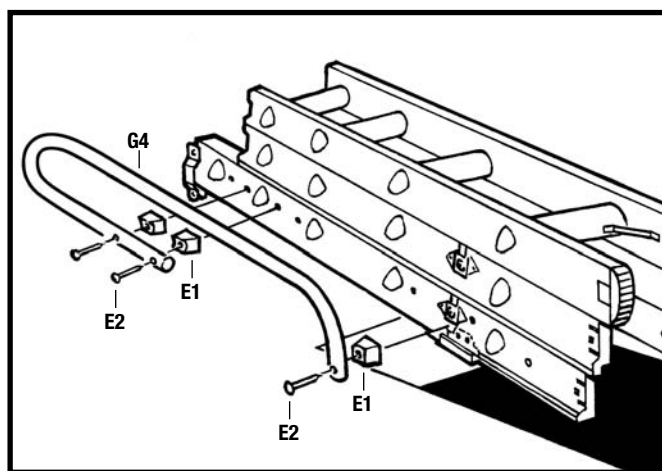


Handrail Assembly

The handrail (G4) can be fitted to either side of the loft ladder. It is advisable to fit the handle only after fitting the power pivot arm.

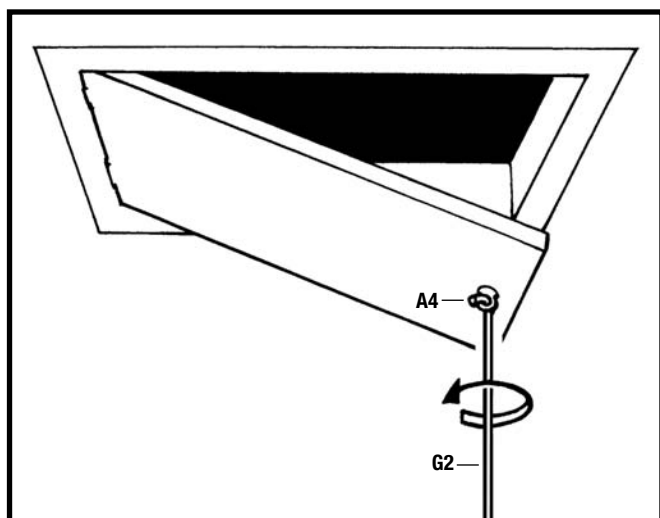
Fix the handrail to your chosen side on the rear section (nearest the loft floor) using 3 x spacers (E1) 60mm bolts (E2) washers and nuts (E3 & E4) supplied. You have a choice of 3 different hand rail heights which will be dependent on the amount of “in-loft” hand rail you require.

Check all fixings for the whole assembly are properly secure.

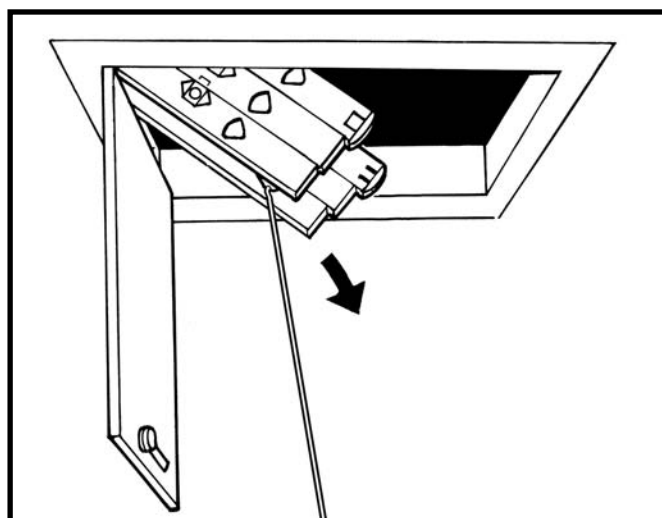


Operating the Ladder

1 To open the trapdoor, use the stowing pole and hook (G2) and turn the twist catch pivot pin (A4) anti-clockwise to open and lower the trapdoor.



2 Hook the ring at the foot of the ladder and pull it outwards and downwards.



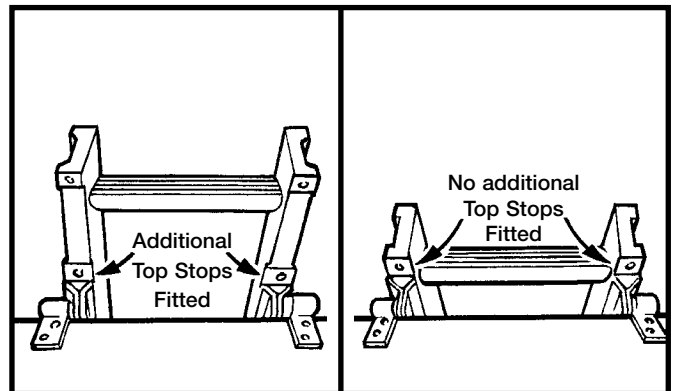
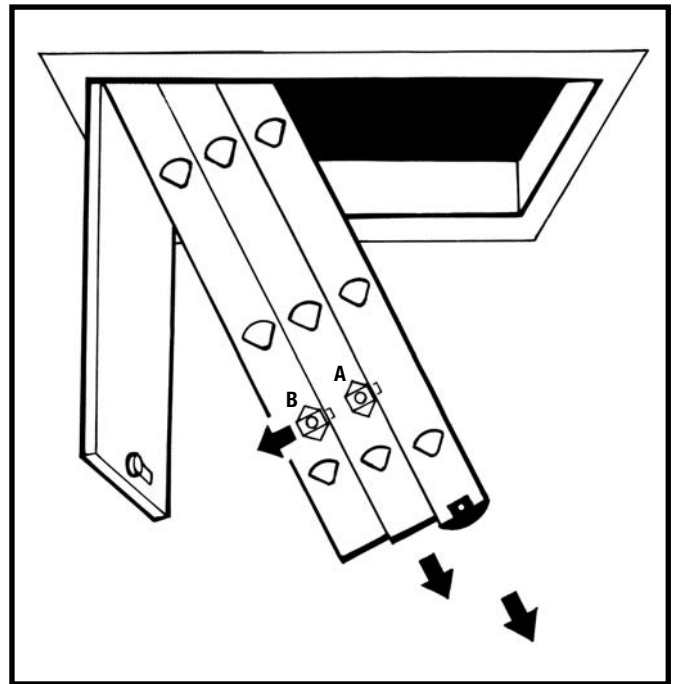
3 To fully extend the ladder, retract the safety catch 'A' and while holding the front frame, lower slowly until the safety catch engages again. Then release catch 'B' and slide the middle frame downwards until the catch is engaged in your chosen position. Lower the ladder until the feet rest firmly on the floor.

4 Ensure the ladder is pulled down to the top stops or additional top stops if fitted.

Stowing the Ladder

To stow the ladder, retract the safety catch, slide the front frame upwards until the safety catch engages again. Repeat this procedure for the middle ladder section. Use the hooked pole to slide the ladder into the loft opening. Raise the trapdoor and turn clockwise to close.

Do not use the ladder with the safety catches disengaged. Read the safety labels on the product.



Pivot Assembly - Not Shown

WARNING:

DO NOT attempt to climb your loft ladder until you have:
Checked that it is pulled down to the stops.
Fully read all safety labels and ensured that it is set at the correct angle.
Ensured that the locking catch is fully engaged.